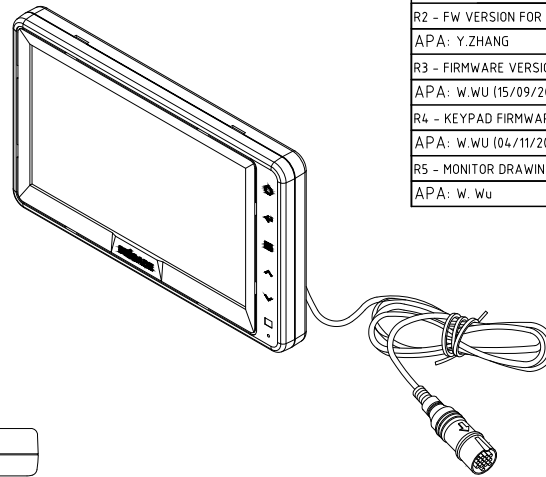
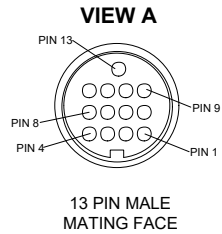
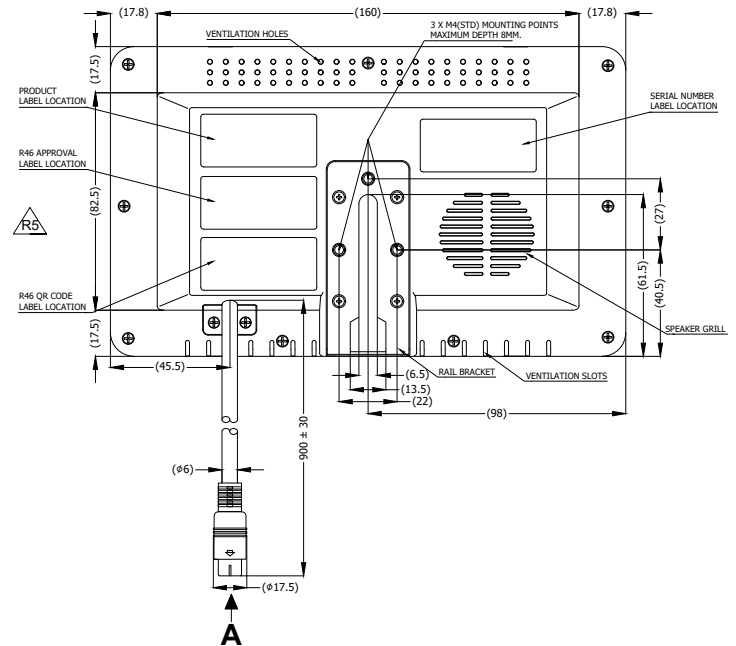
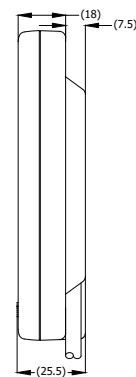
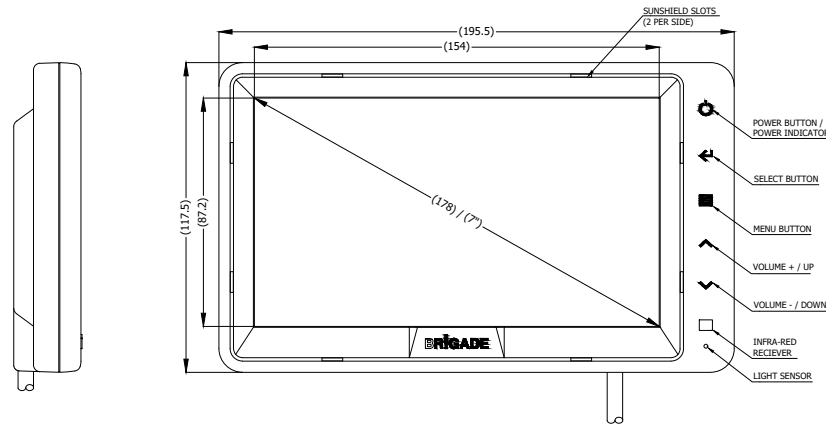
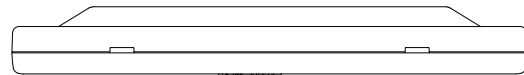


PIN#	WIRE COLOUR	DESCRIPTION
1	RED	+12/24V
2	BROWN	TRIGGER3
3	BLUE	TRIGGER 2
4	PURPLE	TRIGGER 1
5	PALE RED	CA1 +12V OUT
6	GREY	CA1 AUDIO
7	YELLOW	CA1 VIDEO
8	GREEN	CA2 +12V OUT
9	PALE GREEN	CA2 AUDIO
10	WHITE	CA2 VIDEO
11	BLACK	CA3 +12V OUT
12	PALE BLUE	CA3 AUDIO
13	ORANGE	CA3 VIDEO
SHIELD	BLACK	GROUND



Revision Notes.				
R1 - NOTE 5, SOFTWARE CHANGED FROM SV-M0711-703-01-V2.0.0 (BE-VBV-770M-V6.0) TO SV-M0711-703-01-V2.0.1 (BE-VBV-770M-V6.1)				
APA: - Y.ZHANG	Drawn:- W.BEAZLEY	Checked:- M.BUTLER	Approved:- D.WALLIN	Date: 16/03/2016
R2 - FW VERSION FOR TOUCHPAD HAS BEEN UPDATED FROM ITE7235-M0711-01-V1.1 TO ITE7235-M0711-01-V1.3 AS PER CR-A533				
APA: Y.ZHANG	Drawn:W.BEAZLEY	Checked:S.LAVER	Approved:D.WALLIN	Date: 30/09/2017
R3 - FIRMWARE VERSION UPDATED TO V6.3 AS PART OF AUDIO IC UPDATE (AS PER P1360).				
APA: W.WU (15/09/2020)	Drawn:J.STEWART	Checked:S.GOVENDER	Approved:S.LAVER	Date: 17/09/2020
R4 - KEYPAD FIRMWARE VERSION UPDATED TO ATINY1616-M0711D-V10 (AS PER P1509).				
APA: W.WU (04/11/2021)	Drawn:J.STEWART	Checked:S.GOVENDER	Approved:S.LAVER	Date: 09/11/2021
R5 - MONITOR DRAWING UPDATED TO INCLUDE R46 APPROVAL LABEL AND QR CODE LABEL (AS PER P1328)				
APA: W. WU	Drawn:L. CHEUNG	Checked:J. STEWART	Approved:S. LAVER	Date: 3/2/2022



- NOTES:**
1. COLOUR OF CONNECTOR A IS BLACK.
 2. REFER TO "PRODUCT SPECIFICATION" FOR MORE DETAILS.
 3. FOR ALL LABELS AND PACKAGING REFER TO MASTER BOM.
 4. FIRMWARE VERSION SV-MO711-703-01-V2.0.4 (BE-VBV-770M-V6.3) TO BE PRELOADED TO THE MAIN BOARD & FIRMWARE VERSION ATINY1616-M0711D-V10 TO BE PRELOADED TO THE KEYPAD BOARD DURING MANUFACTURE.
 5. HOUSING MATERIAL: ABS PLASTIC, RAIL BRACKET MATERIAL: STEEL.
 6. KEYPAD BUTTONS / SYMBOLS & EMBOSSED LOGO TO BE WHITE, INFRA-RED RECEIVER WINDOW TO BE TRANSLUCENT.
 7. FINISH: BLACK COLOUR WITH SOFT TOUCH PAINT.

PROPRIETARY NOTICE
 THIS DESIGN AND TECHNICAL INFORMATION APPEARING ON THIS DRAWING IS THE PROPERTY OF BRIGADE ELECTRONICS, AND IS DISCLOSED IN CONFIDENCE. IT IS NOT TO BE COPIED, REPRODUCED, REVEALED TO OR EXPROPRIATED BY OTHERS, EITHER IN WHOLE OR IN PART WITHOUT THE EXPRESS WRITTEN CONSENT OF BRIGADE ELECTRONICS.



Assembly Pl Approval YILING ZHANG (26/01/16)	Approved by B.JOHN	Checked by R.BATES	Drawn by M.BUTLER
Angle of Projection 	Units mm	Scale N/A	Released 26/01/16
Status RELEASED	Assembly Ref -		
Part No 4368A	VBV-770M-M BE-003173-05-15		